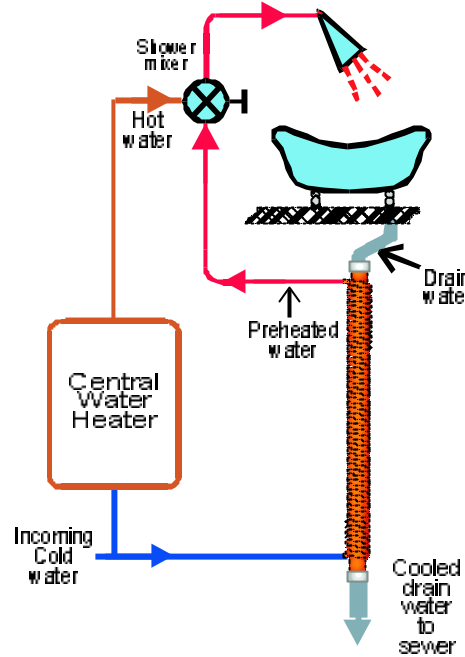
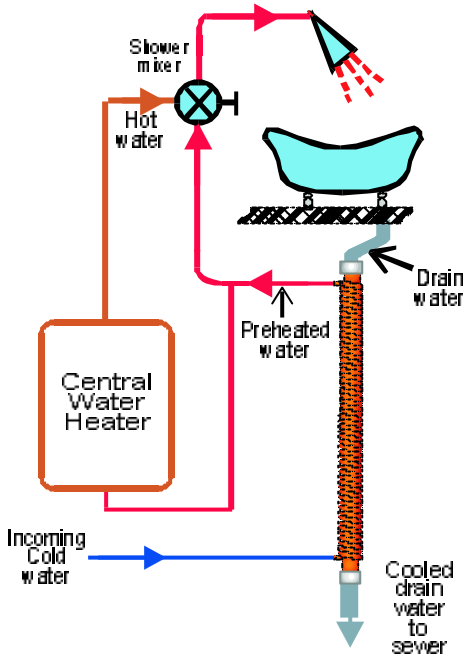
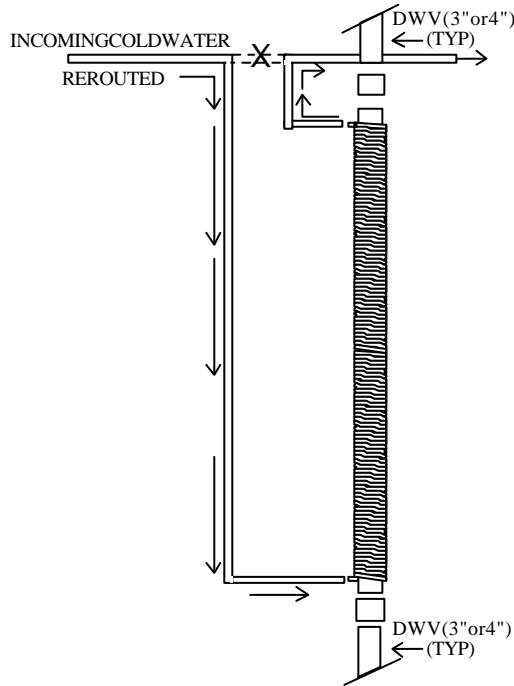
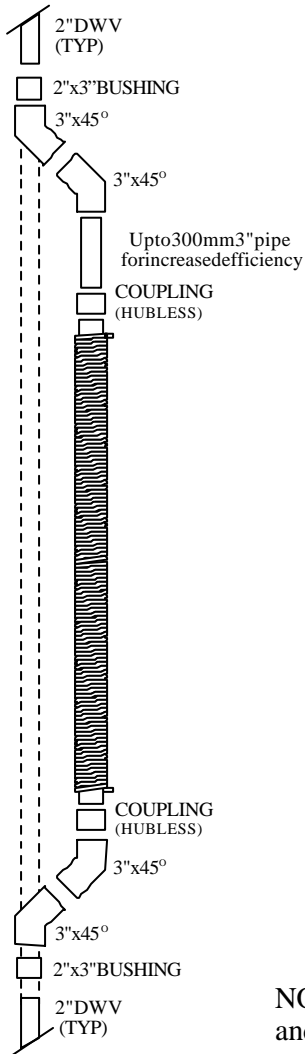


For best results feed both the cold side of the shower mixer and the hot water cylinder with the preheated water

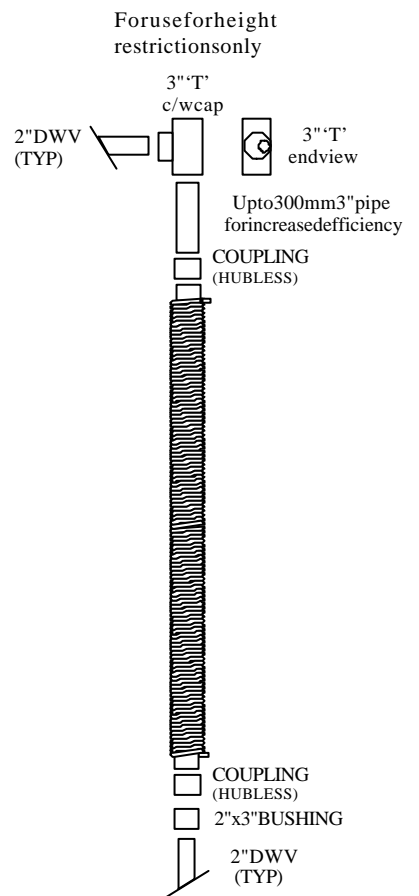
For great results feed the cold side of the shower mixer with the preheated water



ECOsystems ECO GFX INSTALLATION DETAILS



NOT TO SCALE



NOTE: Fittings, couplings, clamps, and connectors are not supplied with GFX and must be determined by on-site conditions and are the responsibility of the purchaser and/or installer.

ECOsystems Limited, PO Box 44-121, Lower Hutt: (04) 5663666